



Township of Sables-Spanish Rivers
REVISED - Request for Proposal RFPPR 23-02A

Webbwood Outdoor Rink
Rink Board Installation

Issue Date: November 1, 2023

Closing Date: November 10, 2023, 12:00pm EST

Submission Location
Township of Sables-Spanish Rivers Municipal Office
11 Birch Lake Road Massey Ontario POP 1P0

Inquires are to be submitted in writing to:
Lori Johnston
Parks and Recreation Coordinator
Township of Sables-Spanish Rivers
11 Birch Lake Road Massey ON POP1P0
Email: ljohnston@sables-spanish.ca

REVISED - RFPPR 23- 02A Outdoor Rink Board Installation - Webbwood

Introduction

The Corporation of the Township of Sables-Spanish Rivers, hereafter referred to as the Township, is requesting proposals from qualified Contractors for installation of outdoor ice rink boards, safety netting, outdoor lighting standards, basketball nets and finishing landscaping at the Webbwood Outdoor Rink, Webbwood, ON, on & around the existing concrete pad.

This rink is located at the corner of O'Neill and Algoma Streets in Webbwood, ON.

Instructions, Terms of Reference and Conditions

Proposals in sealed envelopes marked REVISED RFPPR 23-02A will be received until 12:00pm EST Friday, November 10th, 2023, at the Township of Sables-Spanish Rivers municipal office, 11 Birch Lake Road Massey Ontario POP 1P0.

Responses received after this time and date will be returned unopened.

All proposals and subsequent information received will not be returned and shall become the property of the Corporation of the Township of Sables-Spanish Rivers and as such would be subject to disclosure provisions of the Freedom of Information and Protection and Privacy Act. The Township reserves the right to make copies for utilization during the evaluation period process only.

Information acquired about the Township by the Proponent during this process must not be disclosed unless authorized by the Township, and this obligation will survive the termination of the Request for Proposal process.

The rink boards supplied are made of galvanized steel for the exterior. Band and top of bands made of plastic (HDPE – 440mm). The rink board set includes two doors for the team players' benches, a 48" wide door for machinery, 79" x 48" white strips, blue band top (flat top) 79" x 2", yellow strip bottom (kick plate) 79" x 7.5", 2.5mm thick steel structure & support feet for the steel structure. Column thickness is 2.5mm and column bases are 5mm.

Installation Specifications attached hereto as Appendix A.

The proposal shall include but not limited to the following:

- Cost of the proposal including timeline for the installation of the supplied steel structure, brackets, doors, strips & rink boards etc. as supplied by the manufacturer.
- Installation as per manufacturer's specifications.
- Installation must meet the provisions of the Ontario Building Code.
- Installation of safety netting or chain link at each end of the rink.
- Installing & securing the existing light standards including the installation of underground conduit and reconnection of electrical cables to the building electrical panel.
- Sanding, painting & reinstallation of the existing basketball posts & nets (2).
- Supply & spread topsoil around the rink surface where necessary.
- Contractors will be responsible for all applicable permits (including costs), and arranging for appropriate inspection(s), if necessary.

REVISED RFPPR 23- 02A Outdoor Rink Board Installation - Webbwood

Liability

Indemnification

The Contractor shall indemnify the Municipality, its officers, employees and agents from all claims, demands, actions or other proceedings initiated by others arising out of or attributable to anything done or omitted to be done by the Contractor, its officers, employees or agents in connection with the services performed or required to be performed under this Agreement.

Insurance

1. The Contractor shall maintain a policy of motor vehicle liability insurance for both owned and non-owned licensed vehicles having limits of not less than \$5,000,000 inclusive per occurrence for bodily injury, death and damage to property.

The Contractor shall maintain a policy of general liability insurance having limits of not less than \$5,000,000 inclusive per occurrence for bodily injury, death and damage to property.

The general liability policy shall include the Township of Sables-Spanish Rivers as an additional insured, but only in respect of and for the duration of the services to be performed under this Contract and shall contain a cross liability clause endorsement.

Upon acceptance of this contract, the successful Contractor must provide current proof of insurance to the Municipality.

2. The Contractor will be responsible for payment of the wages of any hired operator(s) and when requested shall provide evidence to the satisfaction of the Municipality that the wages have been paid in full. If the Contractor fails to do so, the Municipality shall have the right to withhold payment of such sum or sums of money due the Contractor that would be sufficient to cover the default.

3. The Municipality does not cover the Contractor or his employees under the Workplace Safety and Insurance Act (the Act). The Contractor is responsible for paying all dues and assessments payable under the Act, the Worker's Compensation Act, the Unemployment Insurance Act, or any other Act, whether provincial or federal, for himself and his employees, for all snowplowing operations.

Upon acceptance of this contract, the successful Contractor must provide current WSIB certificate to the Municipality.

4. The Contractor shall, upon request, provide the Municipality with satisfactory evidence that he has complied with the provisions of other such Acts. If the Contractor fails to do so, the Municipality shall have the right to withhold payment of such sum or sums of money due to him that would be sufficient to cover his defaults and the Municipality shall have the right to pay same. Information on coverage under the Worker's Compensation Act can be obtained directly from the Workplace Safety and Insurance Board.

REVISED RFPPR 23- 02A Outdoor Rink Board Installation - Webbwood

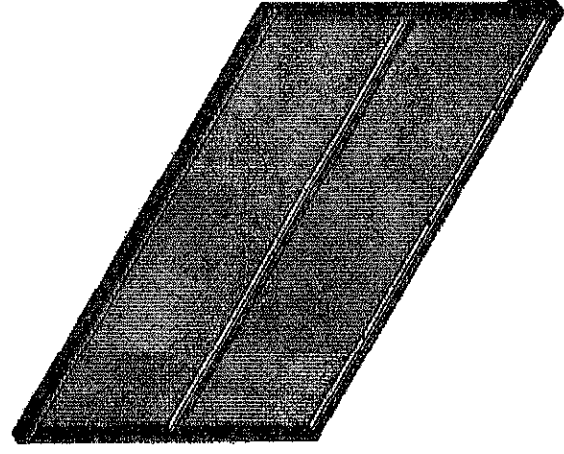
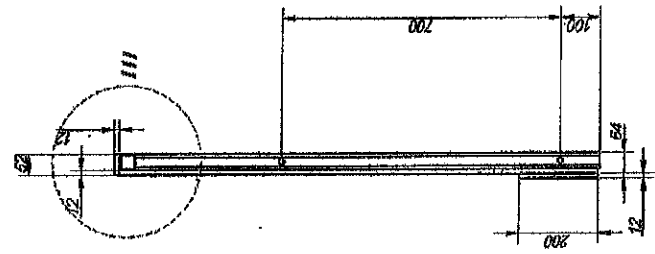
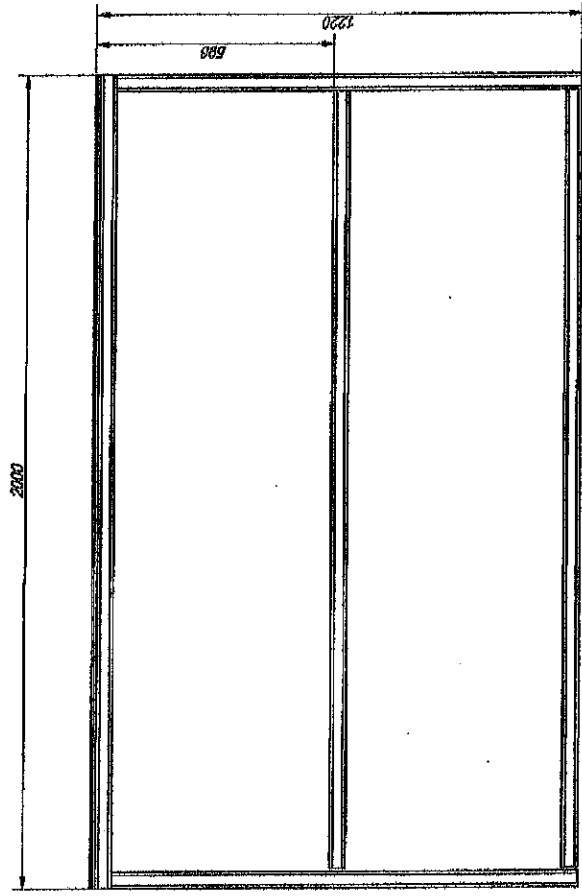
5. If the Contractor fails to perform the work or fails to perform it to the satisfaction of the Municipality or fails to comply with any of the conditions specified in this contract, he shall be liable, and the Municipality may deduct the amount of its damages from any monies due or become due to the Contractor from any source whatsoever.

Copy of an Insurance Certificate with five million (5.0 million) liability & proof of W.S.I.B. coverage will be required to be provided by the successful contractor.

All proposals will be received no later than Monday, October 16th, 2023, by 12:00pm. Proposals shall be delivered to: Township of Sables-Spanish Rivers, 11 Birch Lake Rd Massey, ON POP 1P0 or emailed to ljohnston@sables-spanish.ca

Please direct any concerns or comments to Lori Johnston, Parks & Recreation Coordinator, at 705-865-2519 or by email at ljohnston@sables-spanish.ca

WP-02-00

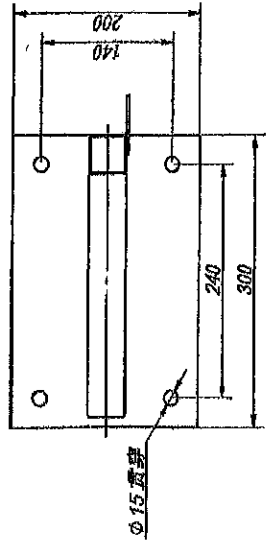
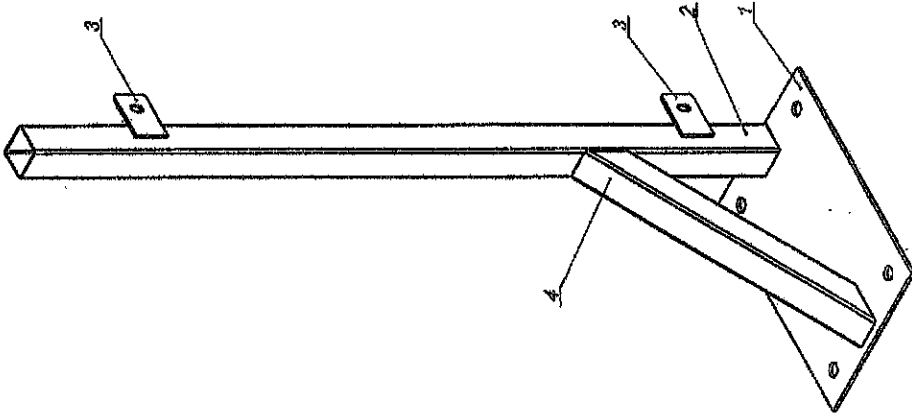
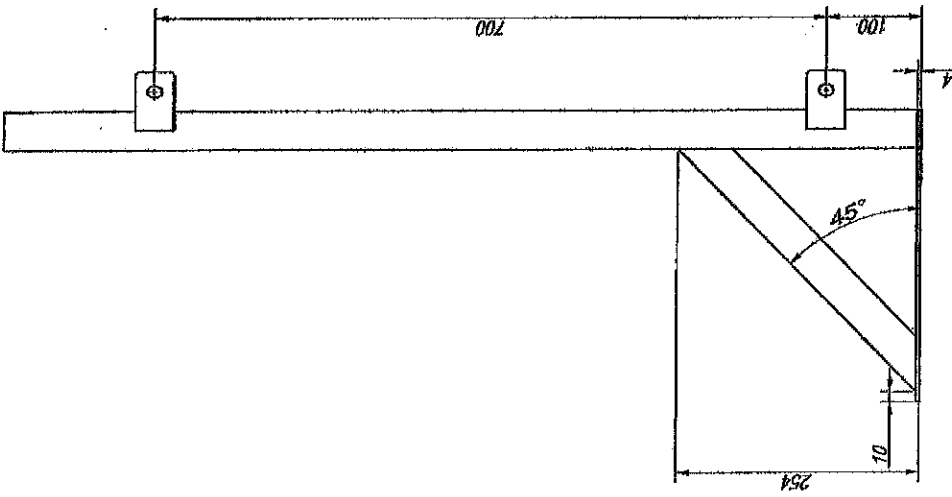


Technical requirements:

The surface should be smooth and free of warping.

Design		Kevin		Material		Scale 1:12		Dasher Board	
Verification		Approval		Material		Quantity		Flat Plate	
Review		Date		Material		Weight		WP-02-00	
Process		2023-7-18		SPORT DIRECT.CA				Sport Direct	

PP-00



Dasher Board		Scale 1:12		Material		SPORT DIRECTICA	
Standard Support		Quantity		Weight		Date 2023-7-18	
PP-00		Month		Approval		Sport Direct	
		Design Verification		Review		Process	